

# HF

## HECTOR FINCH

LIGHTING

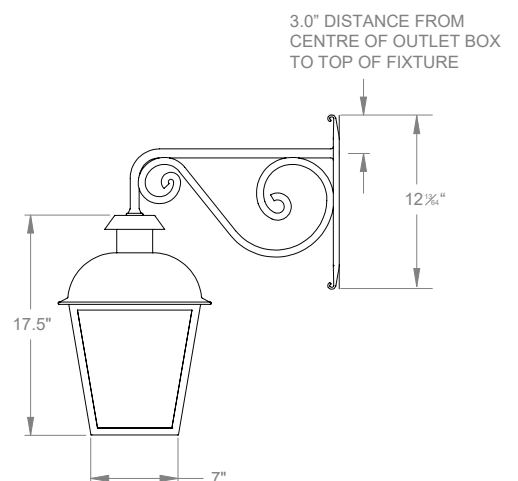
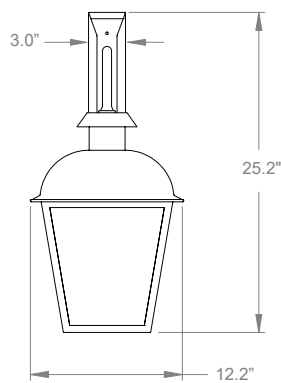
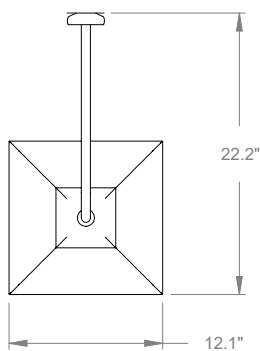
### COMMANDERIE ON WALL BRACKET



PRODUCT CODE WL78

CATEGORY: WALL LANTERNS

### DIMENSIONS



---

## COMMANDERIE ON WALL BRACKET

---

**LAMP TYPE  
INCANDESCENT****UK**

1 x 60W (Max) E27 standard

**EU**

1 x 60W (Max) E27 standard

**USA**

1 x 60W (Max) E26 general service

---

**LAMP TYPE ENERGY  
SAVING**

Suitable CFL or LED equivalent.

---

**CLEANING &  
MAINTENANCE**

Metalwork and glass - use a soft, dry cloth.