

HF

HECTOR FINCH

LIGHTING

PAOLA WALL LIGHT, GRIGIO

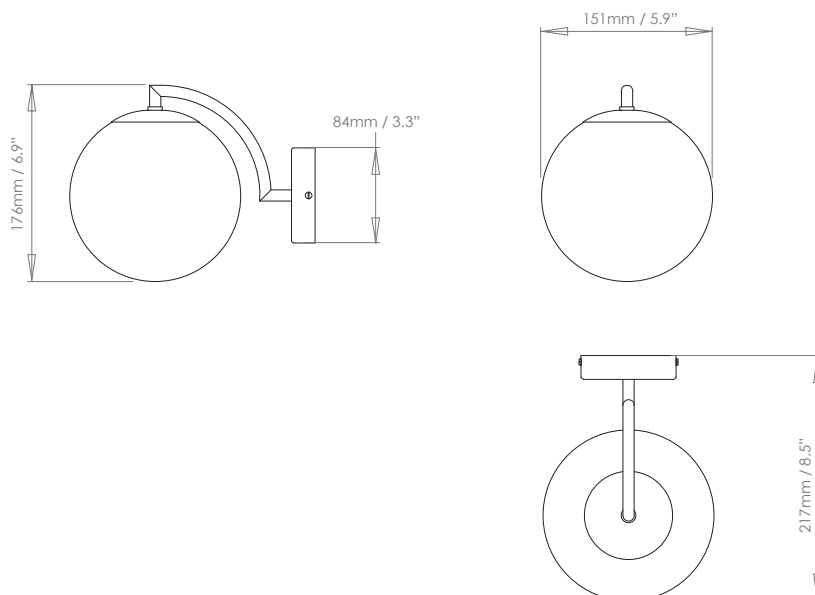
Made by Nason Moretti, one of Murano's oldest glass factories, these globes are of the highest quality, resulting in intense colours and wonderful luminosity.



PRODUCT CODE WL401

CATEGORY: WALL LIGHTS

DIMENSIONS



PAOLA WALL LIGHT

LAMP TYPE
INCANDESCENT**UK**
1 x G9 LED**USA**
1 x G9 LED

FINISH OPTIONS

Antique Brass, Brass Polished & Lacquered (shown), Bronze, Chrome and Nickel Polished.

SIZE & SIMILAR OPTIONS

Paola Pendant, Small (PL350S) and Paola Pendant, Large (PL350L).

APPLICATION

Suitable for indoor use.