

HF

HECTOR FINCH

LIGHTING

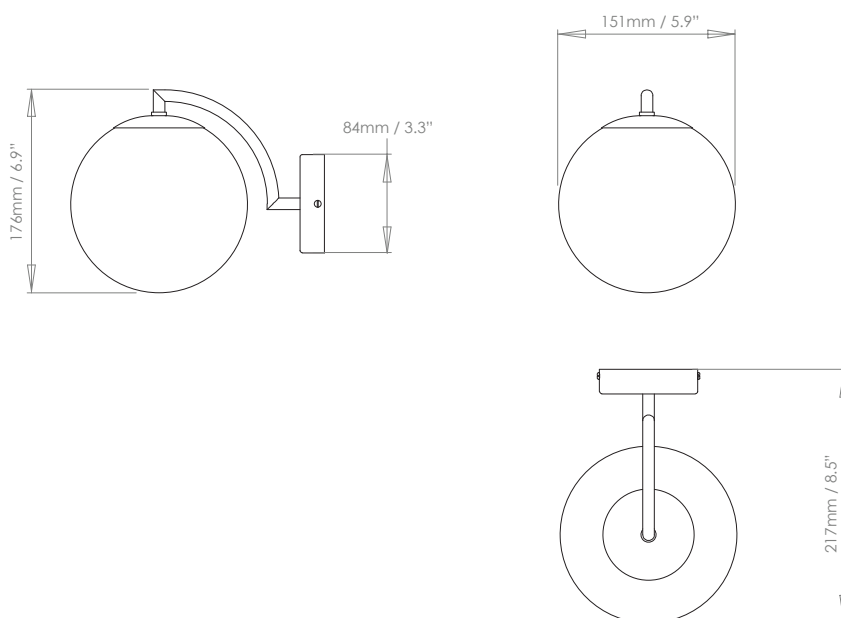
PAOLA WALL LIGHT



PRODUCT CODE WL401

CATEGORY: WALL LIGHTS

DIMENSIONS



PAOLA WALL LIGHT

LAMP TYPE
INCANDESCENT**UK**
1 x G9 LED**USA**
1 x G9 LED

FINISH OPTIONS

Antique Brass, Brass Polished & Lacquered (shown), Bronze, Chrome and Nickel Polished.

SIZE & SIMILAR OPTIONS

Paola Pendant, Small (PL350S) and Paola Pendant, Large (PL350L).

APPLICATION

Suitable for indoor use.