

HF

HECTOR FINCH

LIGHTING

TOM SWING ARM WALL LIGHT

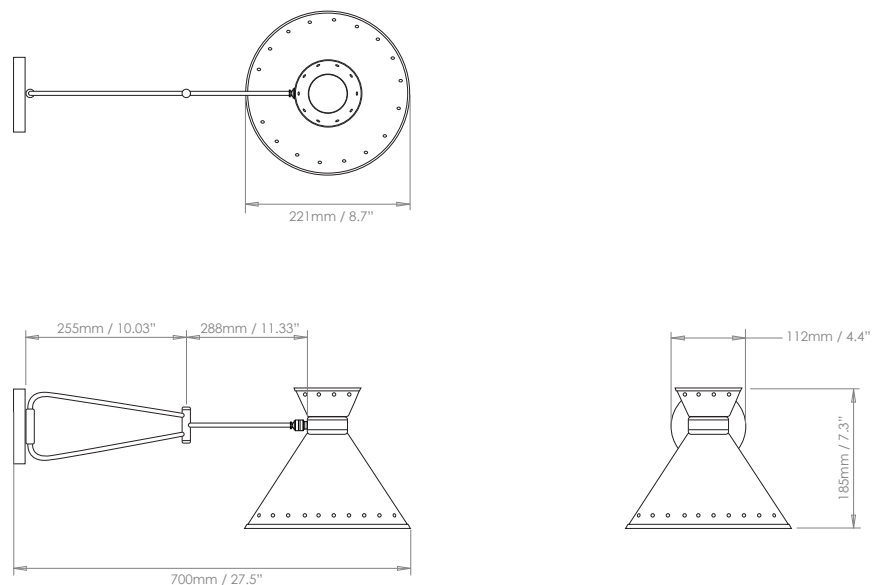
The Tom wall light is the first in a new '50's inspired collection for the Hector Finch portfolio. Stylish and simple, this swing arm version has a spun aluminium shade and is a versatile design that can be used as a wall light or picture light.



PRODUCT CODE WL292

CATEGORY: WALL LIGHTS

DIMENSIONS



TOM SWING ARM WALL LIGHT

LAMP TYPE
INCANDESCENT**UK**
1 x 60W (Max) E14 Golfball**EU**
1 x 60W (Max) E14 Golfball**USA**
1 x 60W (Max) E12 Golfball

LAMP TYPE ENERGY
SAVING

Suitable CFL or LED equivalent.

FINISH OPTIONS

Antique Brass with Black Shade (shown), Antique Brass with Cream Shade, Brass Polished & Unlacquered with Black Shade, Brass Polished & Unlacquered with Cream Shade, Nickel Polished with Black Shade, and Nickel Polished with Cream Shade.

SHADE OPTIONS

Satin Black (shown) and Satin Cream.

SIZE & SIMILAR OPTIONS

Tom Chandelier (CH80), Tom Reading Light (WL402) and Tom Wall Light (WL259S).