



HECTOR FINCH

SIR JOHN SOANE WALL LANTERN, SMALL

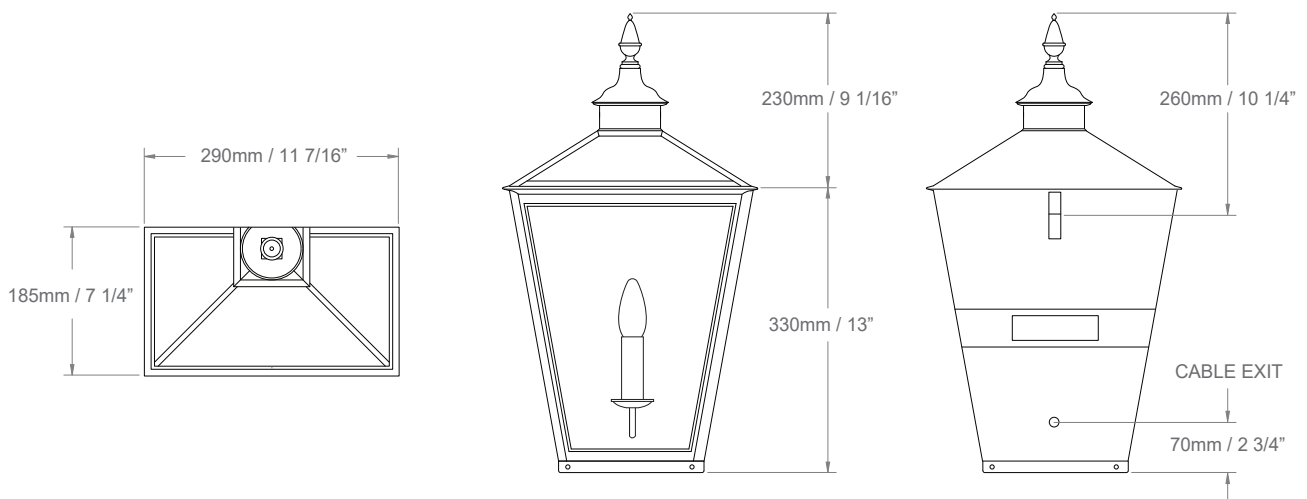
In 2014 Hector Finch Lighting were invited to become a licensing partner of the Sir John Soane Museum. This design is an elegant example of a lantern on view at the Museum and has the fine lines which have always marked out quality Georgian style.



PRODUCT CODE WL275S

CATEGORY: WALL LANTERNS

DIMENSIONS



SIR JOHN SOANE WALL LANTERN, SMALL

LAMP TYPE
INCANDESCENT**UK**
1 x 40W (Max) E14**EU**
1 x 40W (Max) E14**USA**
1 x 40W (Max) E12

LAMP TYPE ENERGY
SAVING

Suitable CFL or LED equivalent.

FINISH OPTIONS

Antique Brass, Bronze, Verdigris, Zinc (shown).

CLEANING &
MAINTENANCE

Use a soft dry cloth.