

# HF

## HECTOR FINCH

LIGHTING

### HECTOR SINGLE STRAIGHT ARM WALL LIGHT, LARGE

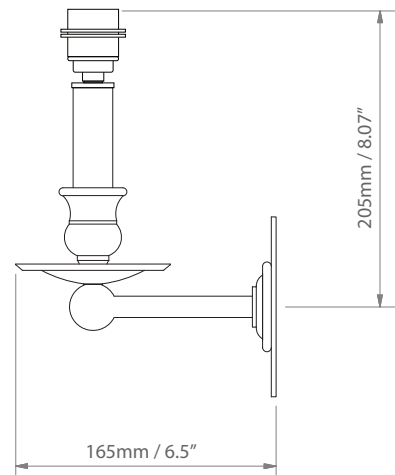
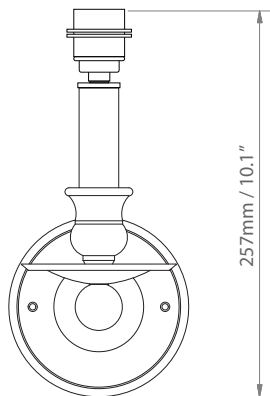
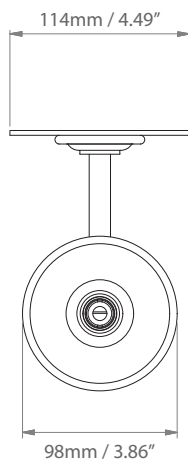
Inspired by an 18th Century candle sconce, this is a versatile and stylish design handmade in the UK exclusively for Hector Finch Lighting. It can be IP44 rated for use within zone 2 of bathrooms.



PRODUCT CODE WL26L

CATEGORY: WALL LIGHTS

#### DIMENSIONS



## HECTOR SINGLE STRAIGHT ARM WALL LIGHT, LARGE

<b>LAMP TYPE</b> <b>INCANDESCENT</b>	<b>UK</b> 1 x 60W (Max) E27 Golfball	<b>EU</b> 1 x 60W (Max) E27 Golfball	<b>USA</b> 1 x 60W (Max) E26 Candleabra
<b>LAMP TYPE ENERGY SAVING</b>	Suitable CFL or LED equivalent.		
<b>APPLICATION</b>	Suitable for indoor use. Can be adapted for use in zone 2 within bathrooms. There is an additional charge for this.		
<b>FINISH OPTIONS</b>	Antique Brass, Polished Lacquered Brass, Polished Unlacquered Brass, Bronze (shown), Chrome, Nickel Brushed, Nickel Polished.		
<b>SIZE &amp; SIMILAR OPTIONS</b>	Also available Hector Twin Straight Arm Wall Light, Large (WL25L) and Hector Swing Arm Wall Light (WL63).		
<b>SHADE OPTIONS</b>	<b>UK/EU</b> Round Medium ES 6" base x 5" top x 4" height.	<b>USA</b> Round Medium 6" base x 5" top x 4" height.	
<b>ADDITIONAL INFORMATION</b>	<b>USA</b> Additional stepped backplate supplied to cover 2" x 4" US junction box (not supplied).		
<b>CLEANING &amp; MAINTENANCE</b>	Metalwork - use a soft, dry cloth Shade - wipe gently with a dry cloth or dust lightly with a feather duster. Repeat regularly to prevent build up of dust. Regular cleaning will prevent the possibility of dust becoming ingrained. DO NOT let water or moisture near the shade.		