



HECTOR FINCH

HECTOR TWIN STRAIGHT ARM WALL LIGHT LARGE

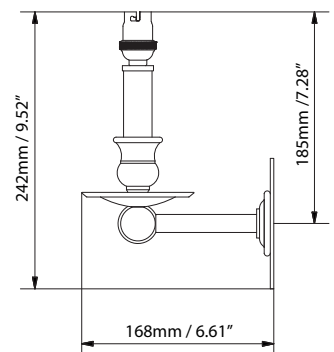
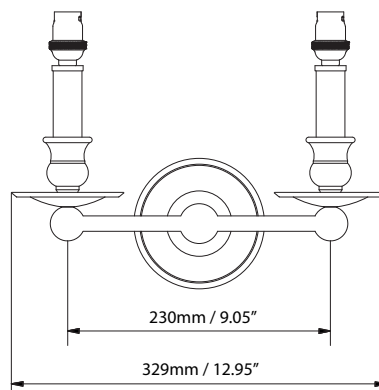
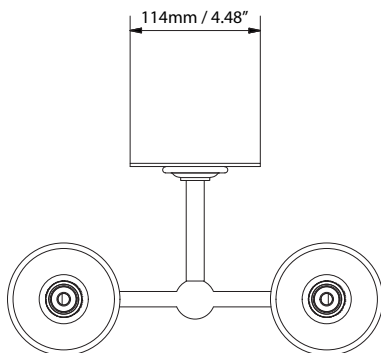
Inspired by an 18th Century candle sconce, this is a simple and versatile design, handmade in the UK exclusively for Hector Finch Lighting. It can be IP44 rated for use within zone 2 of bathrooms.



PRODUCT CODE WL25L

CATEGORY: WALL LIGHTS

DIMENSIONS



HECTOR TWIN STRAIGHT ARM WALL LIGHT LARGE

**LAMP TYPE
INCANDESCENT****UK**

2 x 60W (Max) E27 Golfball

EU

2 x 60W (Max) E27 Golfball

USA

2 x 60W (Max) E26 Golfball

**LAMP TYPE ENERGY
SAVING**

Suitable CFL or LED equivalent.

FINISH OPTIONS

Antique Brass, Polished Lacquered Brass, Polished Unlacquered Brass, Bronze (shown), Chrome, Nickel Brushed, Nickel Polished.

**ADDITIONAL
INFORMATION****USA**

Additional stepped backplate supplied to cover 2" x 4" US junction box (not supplied).

**CLEANING &
MAINTENANCE**

Metalwork - use a soft, dry cloth

Shade - wipe gently with a dry cloth or dust lightly with a feather duster. Repeat regularly to prevent build up of dust. Regular cleaning will prevent the possibility of dust becoming ingrained. DO NOT let water or moisture near the shade.