

HF

HECTOR FINCH

LIGHTING

MALA TABLE LAMP, MEDIUM, EMERALD, DIAMOND

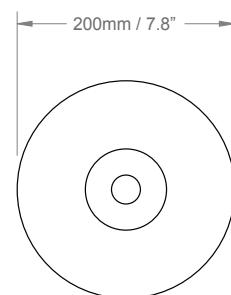
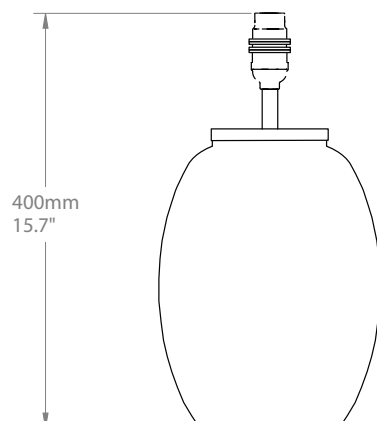
Made for Hector Finch in the same factory in India as our previous range, the Bambolas, the quality and depth of colour is a result of the glass being blown in a double layer, using two different colours so the texture comes from cutting through the dark layer to the lighter underneath.



PRODUCT CODE TL166M

CATEGORY: TABLE & FLOOR LAMPS

DIMENSIONS



MALA TABLE LAMP, MEDIUM, EMERALD, DIAMOND

LAMP TYPE	UK	EU	USA
INCANDESCENT	1 x 60W (Max) B22 Standard	1 x 60W (Max) E27 Standard	1 x 60W (Max) E26 General Service
LAMP TYPE ENERGY SAVING	Suitable CFL or LED equivalent.		
CLEANING & MAINTENANCE	Metalwork - use a soft, dry cloth Shade - wipe gently with a dry cloth or dust lightly with a feather duster. Repeat regularly to prevent build up of dust. Regular cleaning will prevent the possibility of dust becoming ingrained. DO NOT let water or moisture near the shade.		
