

HF

HECTOR FINCH

LIGHTING

DISC PENDANT, CLEAR

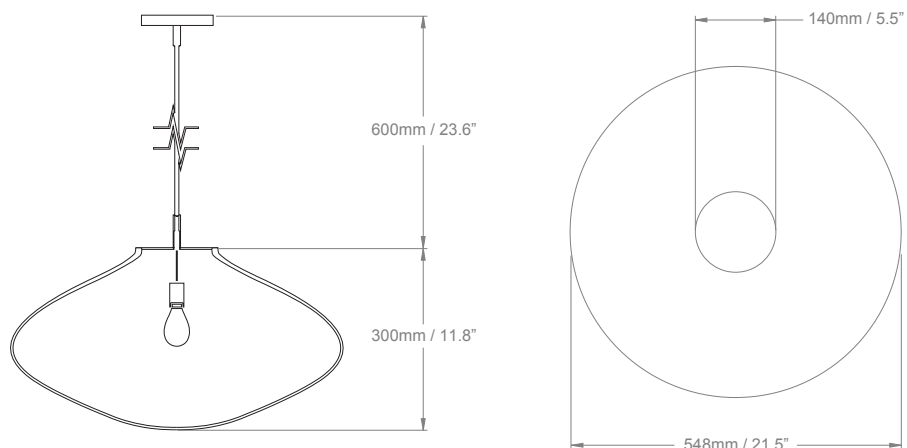
With its minimalistic design, fine materials and details, The Disc combines crystal with metal to suggest a flying saucer from outer space. This model is available with a Copper top disc and Copper fittings.



PRODUCT CODE PL400

CATEGORY: CHANDELIERS & PENDANTS

DIMENSIONS



DISC PENDANT, CLEAR

LAMP TYPE
INCANDESCENT**UK**

1 x 60w (Max) E27 Golfball

USA

1 x 60W (Max) E26 General Service

FINISH OPTIONS

Black, Copper and Nickel Polished.

SIZE & SIMILAR OPTIONS

Disc Pendant, Silver (PL402) and Disc Pendant, Copper (PL401).

APPLICATION

Suitable for indoor use.

CLEANING & MAINTENANCE

Metalwork - use a soft, dry cloth

Shade - wipe gently with a dry cloth or dust lightly with a feather duster. Repeat regularly to prevent build up of dust. Regular cleaning will prevent the possibility of dust becoming ingrained. DO NOT let water or moisture near the shade.

UNDERWRITERS LABORATORIES

This product is UL certificated.