

HF

HECTOR FINCH

LIGHTING

PAOLA PENDANT, SMALL, GRIGIO

Made by Nason Moretti, one of Murano's oldest glass factories, these globes are of the highest quality, resulting in intense colours and wonderful luminosity.

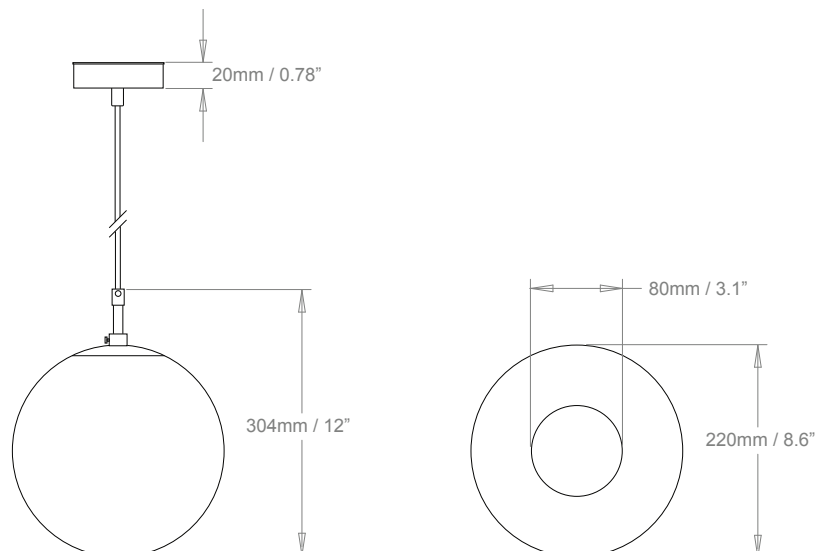
Please note these globes are individually hand-blown and may contain small imperfections which are part of the glass-blowing process.



PRODUCT CODE PL350S

CATEGORY: CHANDELIERS & PENDANTS

DIMENSIONS



PAOLA PENDANT, SMALL

LAMP TYPE
INCANDESCENT**UK**

1 x 60w (Max) E27 Golfball

USA

1 x 60W (Max) E26 General Service

FINISH OPTIONS

Antique Brass, Brass Polished & Lacquered, Brass Polished & Unlacquered, Bronze (shown) and Nickel Polished.

SIZE & SIMILAR OPTIONS

Paola Wall Light (WL401) and Paola Pendant, Large (PL350L).

APPLICATION

Suitable for indoor use.

CLEANING & MAINTENANCE

Metalwork - use a soft, dry cloth

Shade - wipe gently with a dry cloth or dust lightly with a feather duster. Repeat regularly to prevent build up of dust. Regular cleaning will prevent the possibility of dust becoming ingrained. DO NOT let water or moisture near the shade.