

HF

HECTOR FINCH

LIGHTING

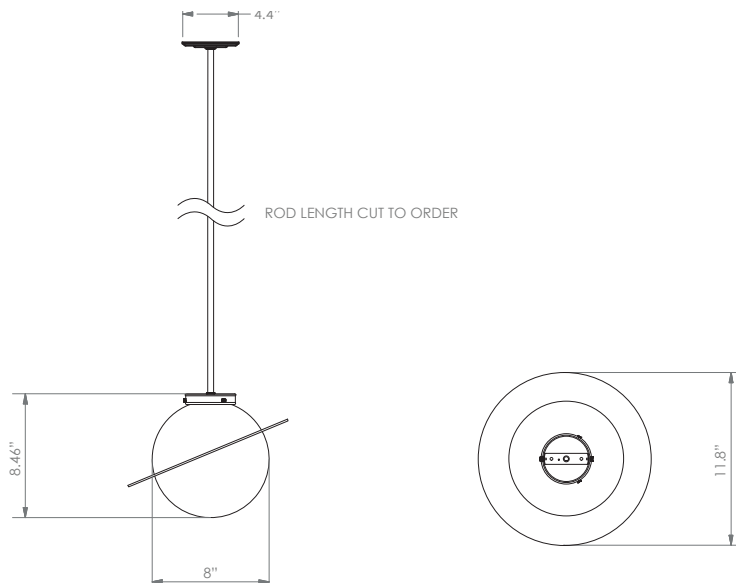
SATURN GLOBE PENDANT



PRODUCT CODE PL308

CATEGORY: CHANDELIERS & PENDANTS

DIMENSIONS



SATURN GLOBE PENDANT

LAMP TYPE
INCANDESCENT 1 x 40W (Max) E26 Golfball

LAMP TYPE ENERGY
SAVING Suitable CFL or LED equivalent.

APPLICATION Suitable for indoor use only.

FINISH OPTIONS Antique Brass, Polished Unlacquered Brass (shown), Bronze, Chrome and Nickel Polished.

UNDERWRITERS
LABORATORIES



This product is UL certificated.