

# HF

## HECTOR FINCH

LIGHTING

### LUCIA PENDANT EXTRA LARGE

The Lucia Pendant and Rose is a simple yet elegant hanging fitting that can be used in a kitchen, over a table, island or counter top as well as in a living space.

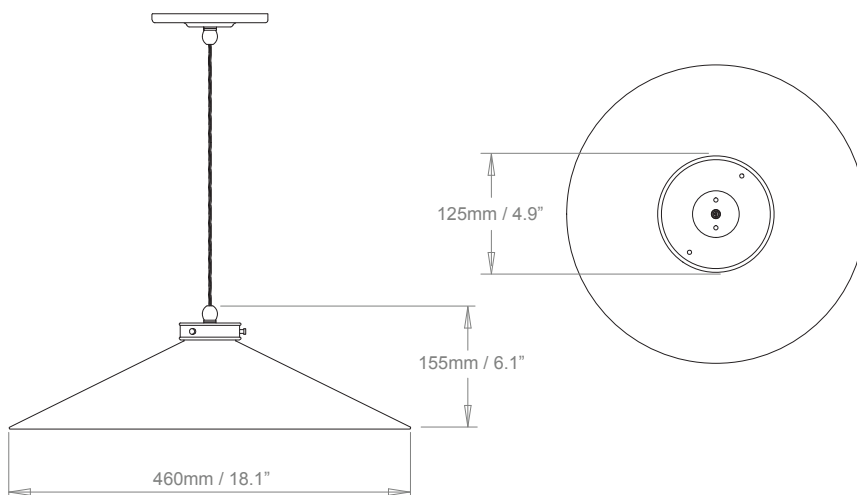
Made with precision and artisanal flair at a family run factory in the beautiful Il Casentino valley, they shine the warm, authentic glow of Italy wherever you choose to fit them. The range is available in a selection of mid - century friendly colours from elegant natural, to striking green and orange.



**PRODUCT CODE PL300XL**

**CATEGORY: CHANDELIERS & PENDANTS**

### DIMENSIONS



# LUCIA PENDANT EXTRA LARGE

**LAMP TYPE  
INCANDESCENT** 1 x 60W (Max) E26 Golfball

**LAMP TYPE ENERGY  
SAVING** Suitable CFL or LED equivalent.

**APPLICATION** Suitable for indoor use.

**COLOUR OPTIONS** Antique Brass, Chrome and Gunmetal with a choice of ceramic colours as below. Shown in Naturale.



Acqua Arancio Bianco Giallo Grigio Naturale Nero Rosso Taupe Verde Selenio

**SIZE & SIMILAR OPTIONS** Lucia Pendant Small (PL300S), Lucia Pendant Medium (PL300M), Lucia Pendant Large (PL300L), Lucia Wall Light (WL300) and Lucia Straight Arm Wall Light (WL301).

**ADDITIONAL  
INFORMATION** Supplied with .7m (27.5") of cable.

**UNDERWRITERS  
LABORATORIES**



This product is UL certificated.