

HF

HECTOR FINCH

LIGHTING

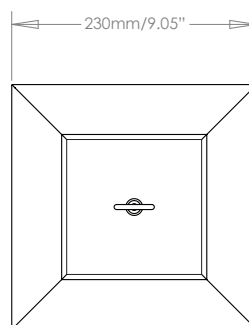
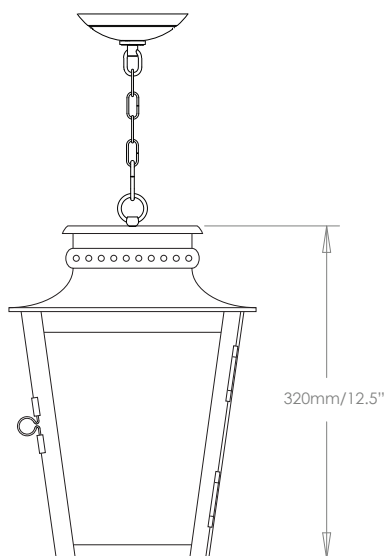
**ZEUS HANGING
LANTERN, SMALL**



PRODUCT CODE LA93S

CATEGORY: HANGING LANTERNS

DIMENSIONS



ZEUS HANGING LANTERN, SMALL

LAMP TYPE
INCANDESCENT**UK**
1 x 60W (Max) E27 Candle**EU**
1 x 60W (Max) E27 Candle**USA**
1 x 60W (Max) E26 Candelabra

LAMP TYPE ENERGY
SAVING

Suitable CFL or LED equivalent.

FINISH OPTIONS

Satin Black and Zinc.

APPLICATION

Suitable for indoor use and covered porches.

ADDITIONAL
INFORMATION

Supplied with 600mm (23.6") of chain and canopy as standard. Custom length chain available by request.
The lanterns are supplied with matching Zinc chain and canopies as standard.