

HF

HECTOR FINCH

LIGHTING

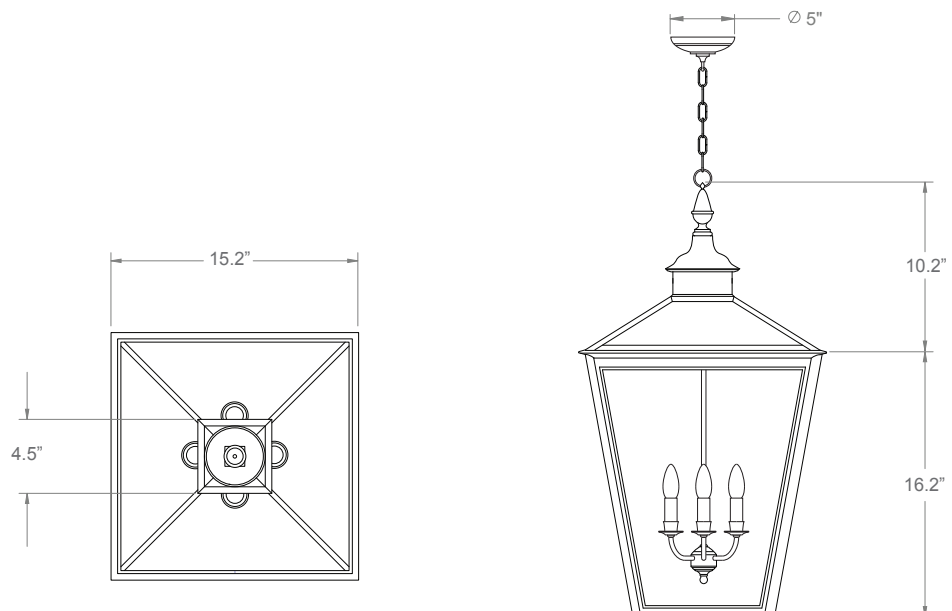
**SIR JOHN SOANE  
HANGING LANTERN**



PRODUCT CODE LA92

CATEGORY: HANGING LANTERNS

**DIMENSIONS**



---

# SIR JOHN SOANE HANGING LANTERN

---

**LAMP TYPE  
INCANDESCENT**

4 x 40W (Max) E12

---

**LAMP TYPE ENERGY  
SAVING**

Suitable CFL or LED equivalent.

---

**FINISH OPTIONS**

Antique Brass, Bronze, Verdigris, Zinc (shown).

---

**CLEANING &  
MAINTENANCE**

Use a soft dry cloth.

---

**UNDERWRITERS  
LABORATORIES**



This product is UL certificated.