

# HF

## HECTOR FINCH

LIGHTING

### ALEX HANGING LANTERN

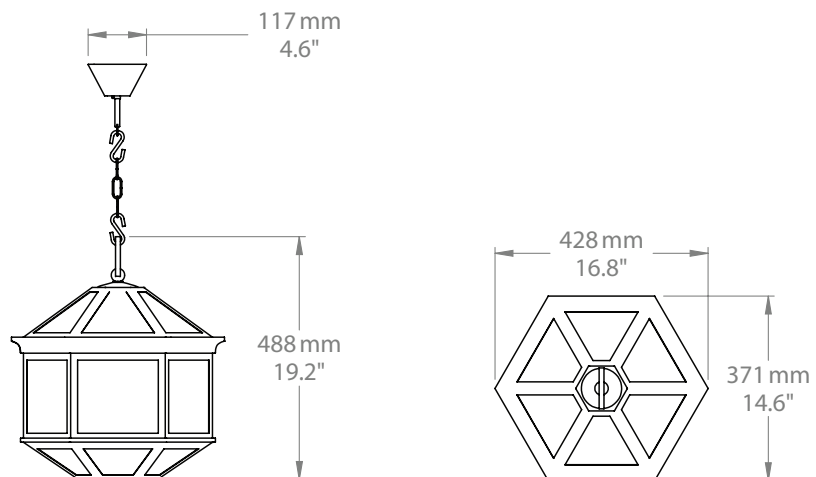
Handmade in France by artisan manufacturers, the Alex Hanging Lantern is made using high quality zinc for durability and longevity. Ideal for use in a hall, conservatory, stairwell or porch, it can be fitted with a single lamp or 3 lamp cluster. This design is made exclusively for Hector Finch Lighting.



PRODUCT CODE LA61

CATEGORY: HANGING LANTERNS

### DIMENSIONS



---

## ALEX HANGING LANTERN

---

**LAMP TYPE  
INCANDESCENT****UK**

1 x 60W (Max) E27 standard  
or 3 x 40W (Max) E14 candle

**EU**

1 x 60W (Max) E27 standard or  
3 x 40W (Max) E14 candle

**USA**

1 x 60W (Max) E26 general service  
or 3 x 40W (Max) E12 candleabra

---

**LAMP TYPE ENERGY  
SAVING**

Suitable CFL or LED equivalent.

---

**FINISH OPTIONS**

Antique Brass Dark, Antique Brass Light, Satin Black, Verdigris, Zinc (shown).

---

**ADDITIONAL  
INFORMATION**

Supplied with 600mm (23.6") of chain and canopy as standard. Custom length chain available by request.

---

**WEIGHT**

6.3kg / 13.86lbs

---

**CLEANING &  
MAINTENANCE**

Metalwork and glass - use a soft, dry cloth.