

HF

HECTOR FINCH

LIGHTING

ROSWELL FLUSH FITTING

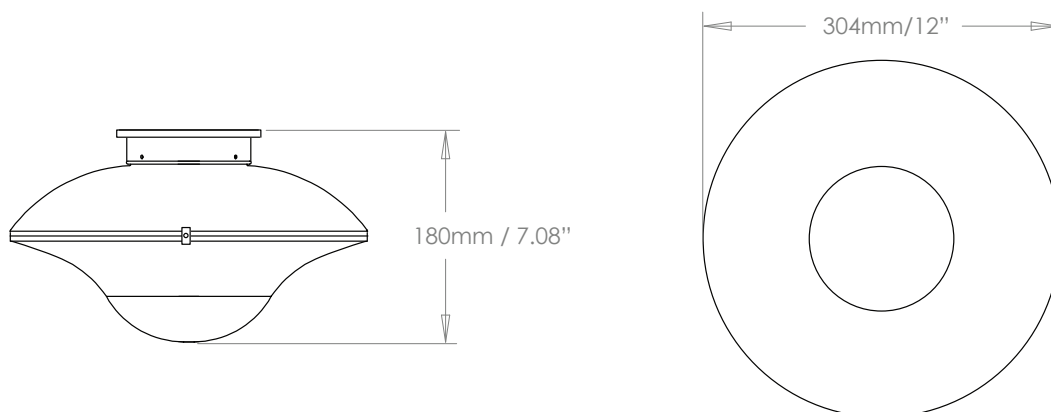
The prismatic shade gives a bright but softened light and will completely disguise energy efficient light bulbs such as CFLs and LEDs without impairing the impact of the design. Ideal for bathrooms, kitchens, halls, landings and hallways. See also Roswell Flying Saucer Prism Light, Small and Large.



PRODUCT CODE CL15

CATEGORY: ROSWELL FLUSH FITTING

DIMENSIONS



ROSWELL FLUSH FITTING

LAMP TYPE
INCANDESCENT 1 x 60W (Max) E26 Candleabra

LAMP TYPE ENERGY
SAVING Suitable CFL or LED equivalent.

APPLICATION Suitable for indoor use.

FINISH OPTIONS Antique Brass, Bronze (shown), Chrome, Nickel Polished.

UNDERWRITERS
LABORATORIES



This product is UL certificated.